

**E-Series RF 1:1 Transformer**  
1710 – 1910 MHz

**ETC1-1-10**  
**V1**

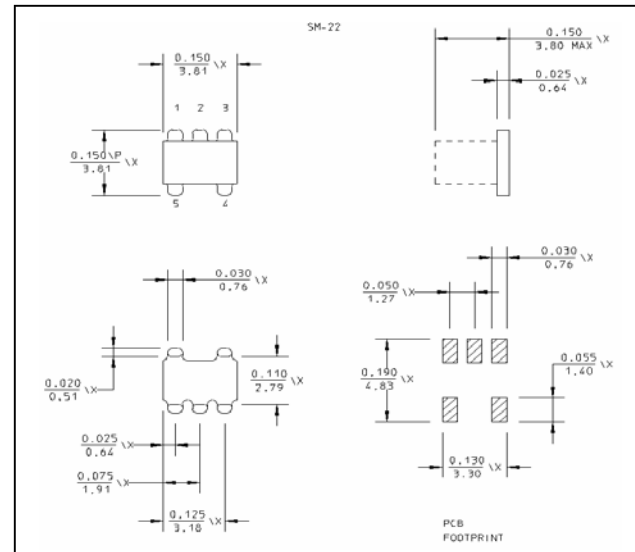
**Features**

- 1:1 Impedance Ratio
- Surface Mount
- Tape and reel packaging available

**Description**

M/A-COM's ETC1-1-10 is a 1:1 RF transmission line transformer in a low cost, surface mount package. Ideally suited for high volume cellular and wireless applications. Parts are packaged in tape & reel.

**SM - 22 Package**



**Electrical Specifications:  $T_A = 25^\circ\text{C}$ ,  $Z_0 = 50\Omega$ <sup>1</sup>**

Parameter	Test Conditions	Frequency	Units	Min	Typ	Max
RF Frequency	—	1710 - 1910	MHz	—	—	—
Insertion Loss	$F_L - f_U$	1710 - 1910	dB	—	—	2.0
Amplitude Unbalance	—	1710 - 1910	dB	—	—	2.0
Phase Unbalance	—	1710 - 1910	Degrees	—	—	10°

**Absolute Maximum Ratings<sup>1</sup>**

Parameter	Absolute Maximum
DC Power	250 mW
DC Current	30 mA
Operating Temperature	-40°C to +85°C
Storage Temperature	-55°C to +125°C

**Ordering Information**

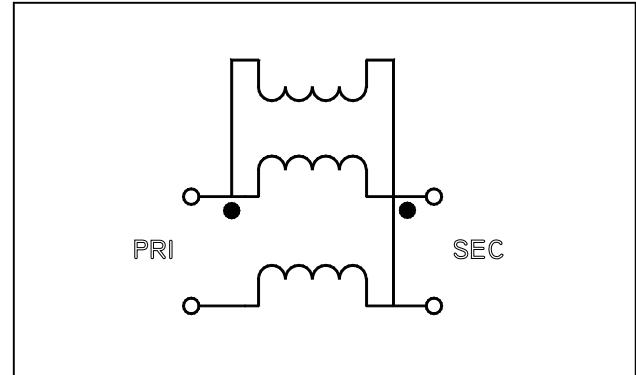
Part Number	Package
ETC1-1-10TR	Tape and Reel (2000 piece Reel)

1. Operation of this device above any one of these parameters may cause permanent damage.

**Pin Configuration**

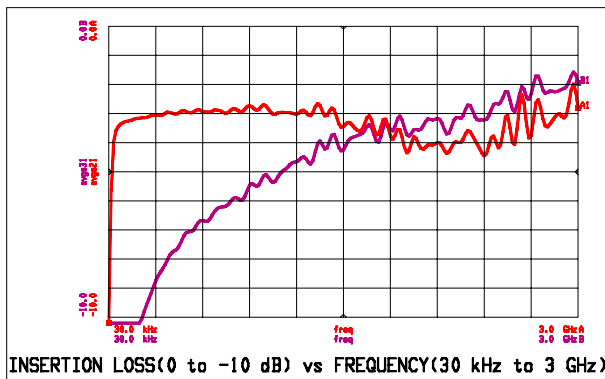
Pin No.	Function
1	Secondary Dot
2	Not Connected
3	Secondary
4	Primary
5	Primary Dot

**Schematic**

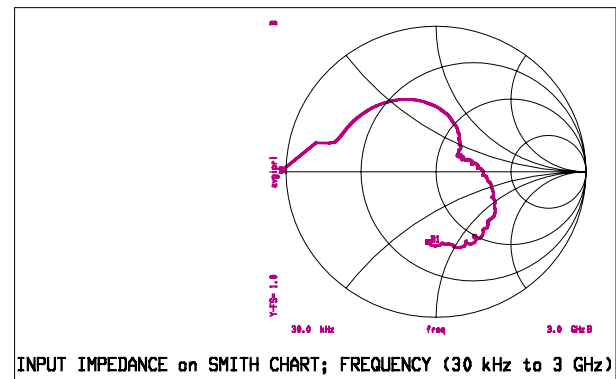


**Typical Performance Curves**

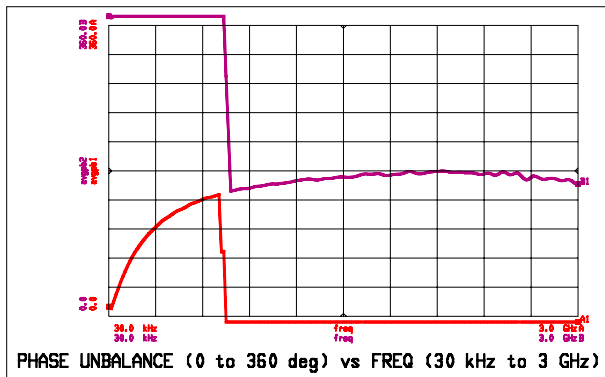
**Insertion Loss**



**Input Impedance**



**Phase Unbalance**



**Amplitude Unbalance**

